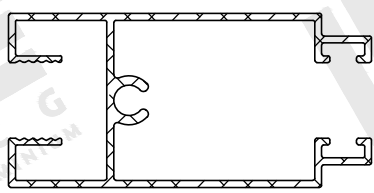
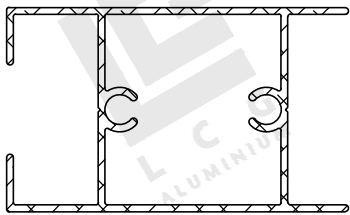
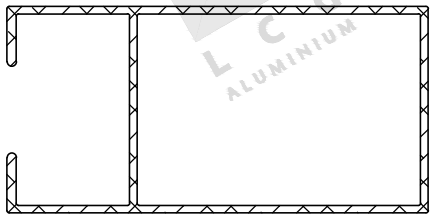
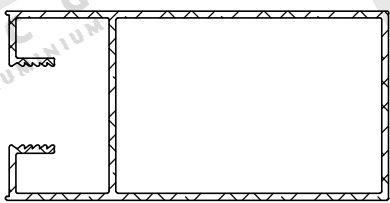
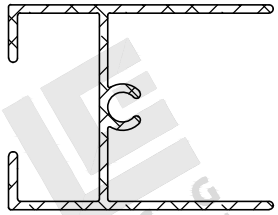
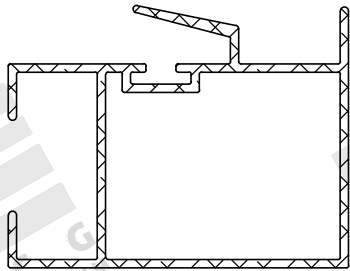


# EXPORT

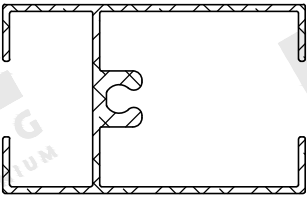

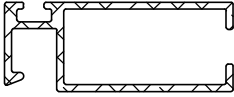
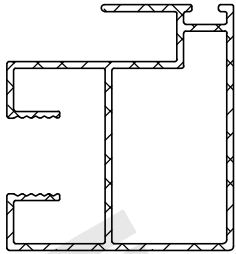
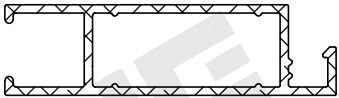
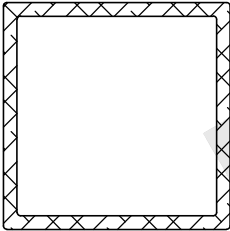
## ARCHITECTURAL AND FACADE

 <p>NO. 20142</p>	 <p>NO. 10066</p>
 <p>NO. 10064</p>	 <p>NO. 10129</p>
 <p>NO. 20085</p>	 <p>NO. 10068</p>

UPDATED AS ON 07.02.22

# EXPORT

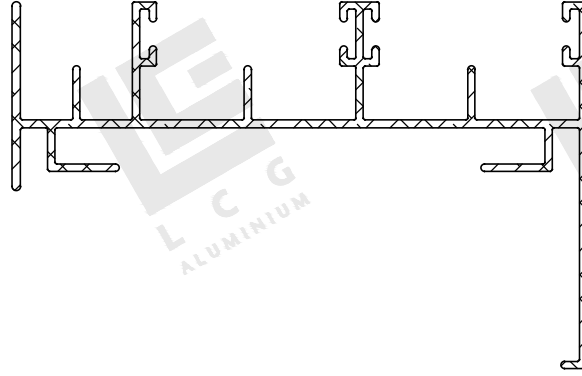
## ARCHITECTURAL AND FACADE

 <p>NO. 20103</p>	 <p>NO. 20141</p>
 <p>NO. 20138</p>	 <p>NO. 10130</p>
 <p>NO. 10067</p>	 <p>NO. 60002</p>

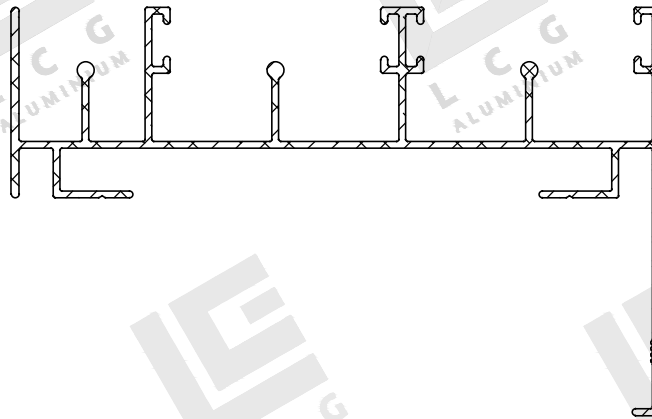
UPDATED AS ON 07.02.22

# EXPORT

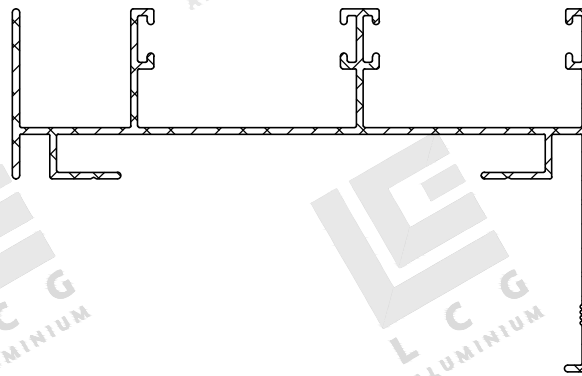
## ARCHITECTURAL AND FACADE



NO. 20077



NO. 20076

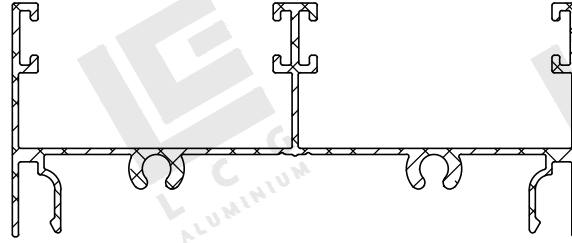


NO. 20079

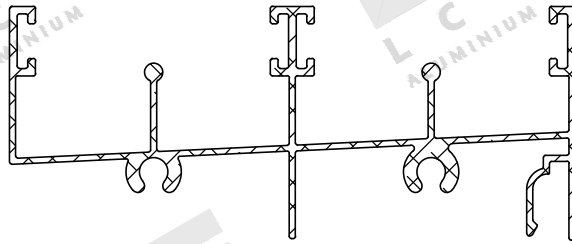
UPDATED AS ON 07.02.22

# EXPORT

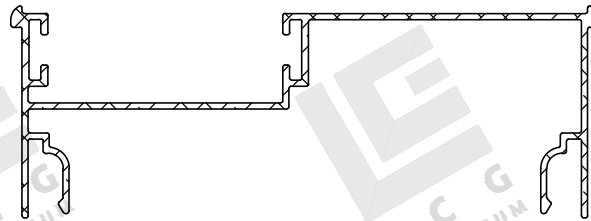
## ARCHITECTURAL AND FACADE



NO. 20105



NO. 20106

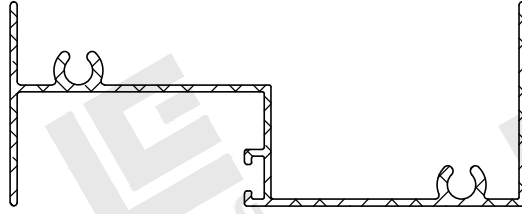


NO. 20109

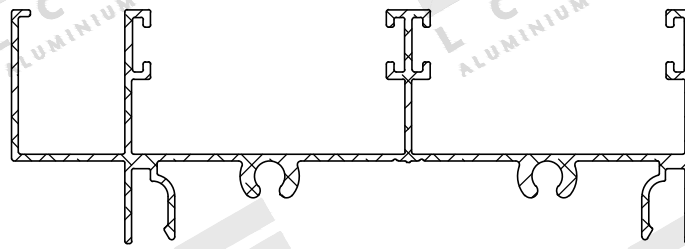
UPDATED AS ON 07.02.22

# EXPORT

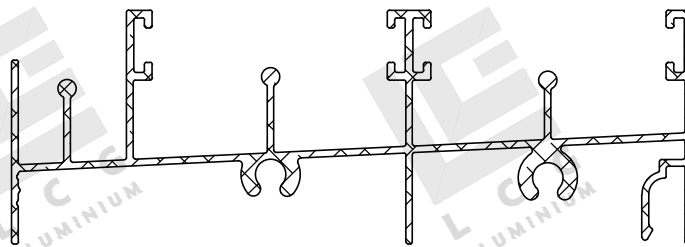
## ARCHITECTURAL AND FACADE



NO. 20139



NO. 10107

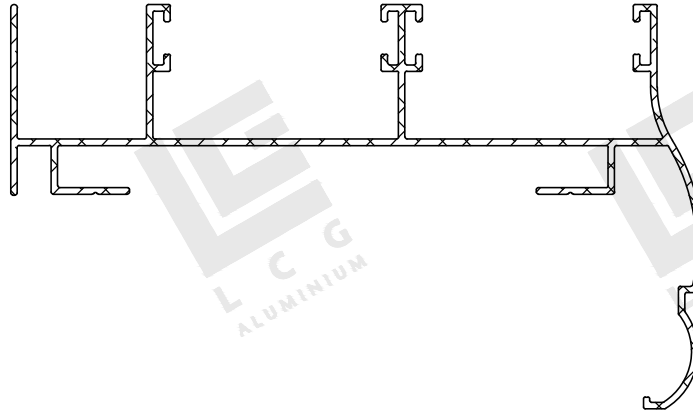


NO. 10108

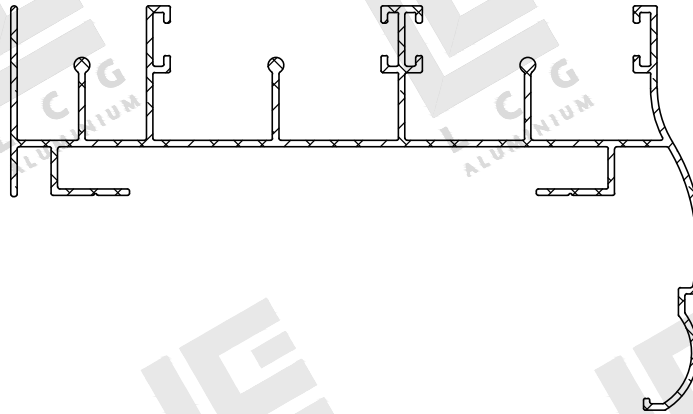
UPDATED AS ON 07.02.22

# EXPORT

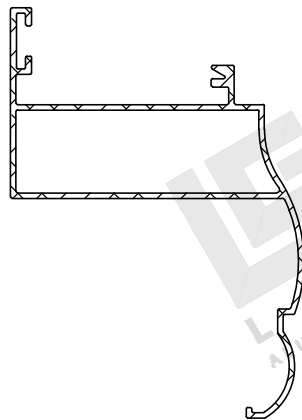
## ARCHITECTURAL AND FACADE



NO. 20100



NO. 10101



NO. 10073

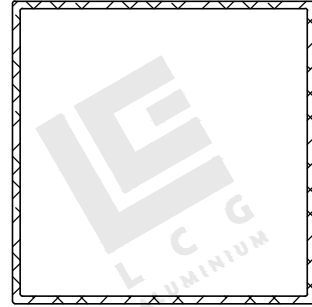
UPDATED AS ON 07.02.22

# EXPORT

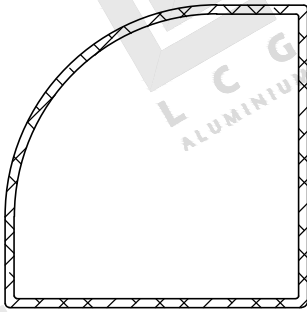
## ARCHITECTURAL AND FACADE



NO. 40001



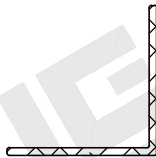
NO. 60001



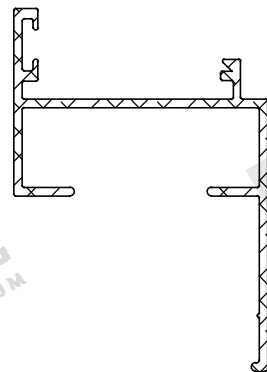
NO. 10063



NO. 40004



NO. 50007

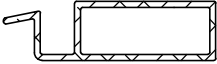
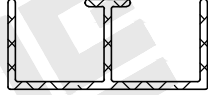
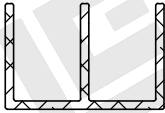

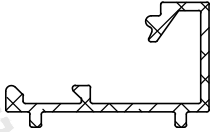
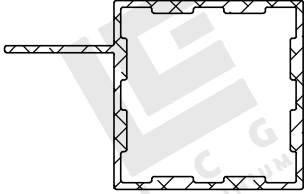
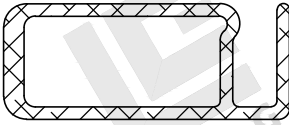
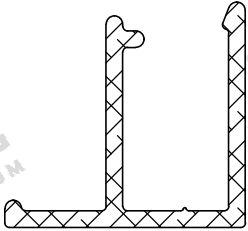


NO. 20078

UPDATED AS ON 07.02.22

# EXPORT

## ARCHITECTURAL AND FACADE

 <p>NO. 10075</p>	 <p>NO. 20104</p>
 <p>NO. 20084</p>	 <p>NO. 20086</p>
 <p>NO. 20080</p>	 <p>NO. 10074</p>
 <p>NO. 10072</p>	 <p>NO. 20081</p>

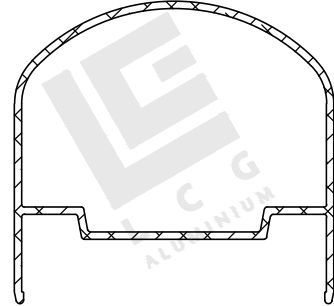
UPDATED AS ON 07.02.22

# EXPORT

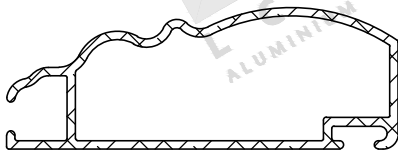
## ARCHITECTURAL AND FACADE



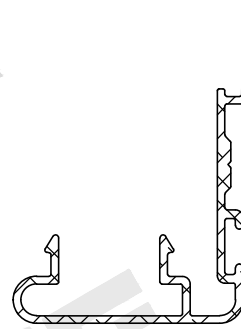
NO. 10070



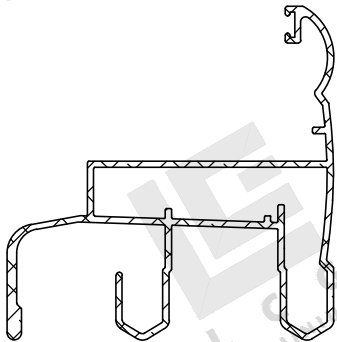
NO. 10102



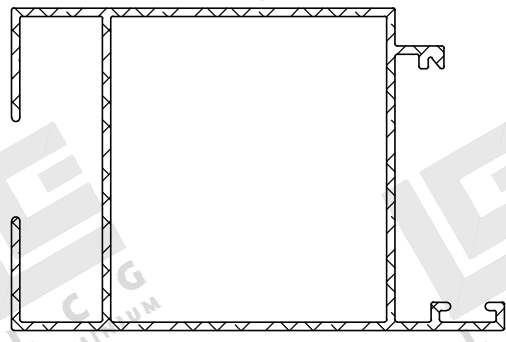
NO. 10071



NO. 20125



NO. 10104



NO. 10069

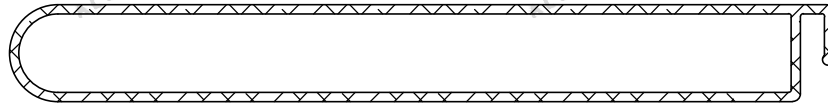
UPDATED AS ON 07.02.22

# EXPORT

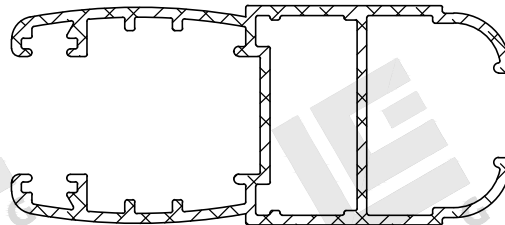
## ARCHITECTURAL AND FACADE



NO. 10065



NO. 10107

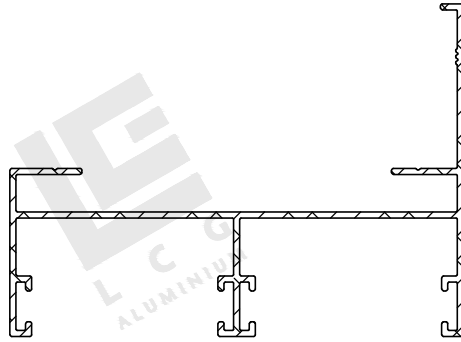


NO. 10103

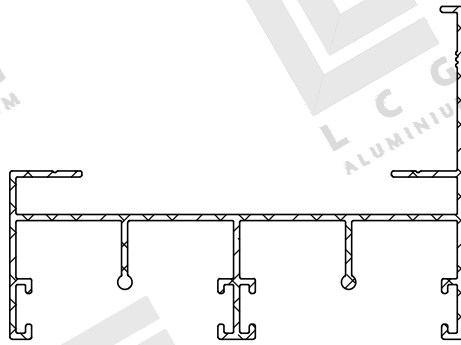
UPDATED AS ON 07.02.22

# EXPORT

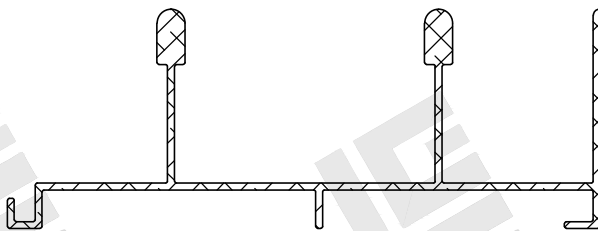
## ARCHITECTURAL AND FACADE



NO. 20150



NO. 20151

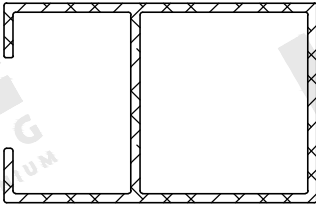


NO. 20140

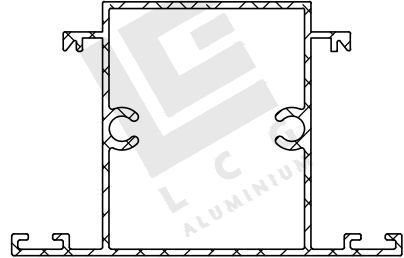
UPDATED AS ON 07.02.22

# EXPORT

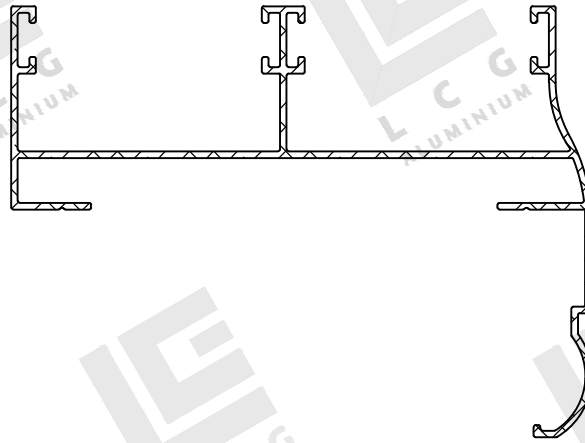
## ARCHITECTURAL AND FACADE



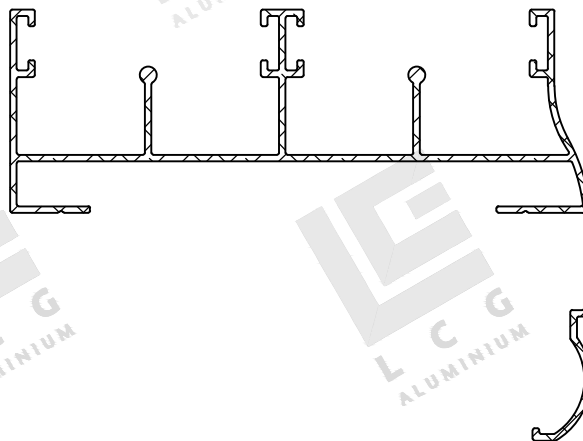
NO. 10211



NO. 10238



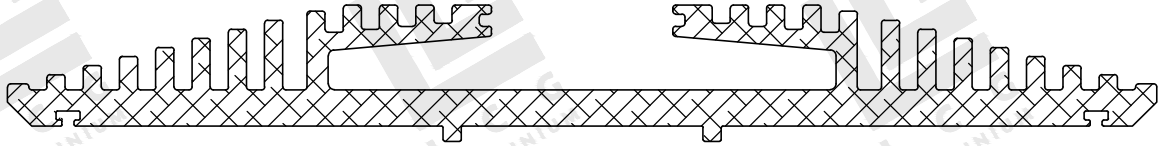
NO. 20098



NO. 20099

UPDATED AS ON 07.02.22

# EXPORT HEAT SINK



NO. 20195

UPDATED AS ON 07.02.22