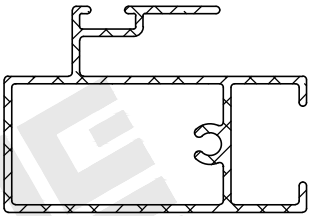
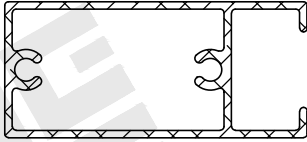
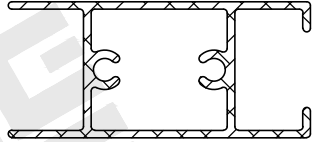
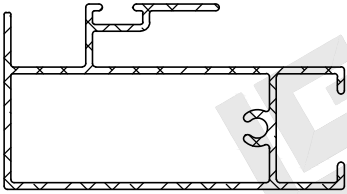
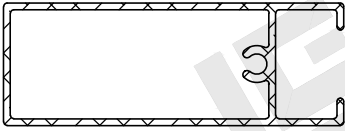
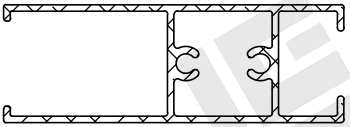
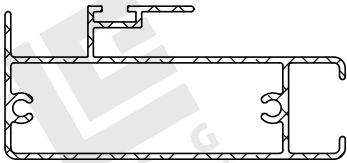
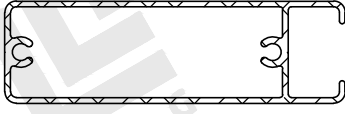
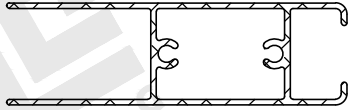
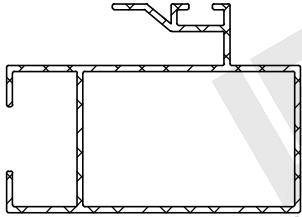
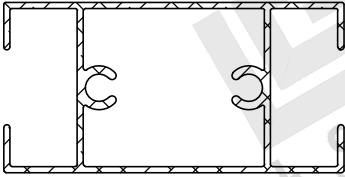
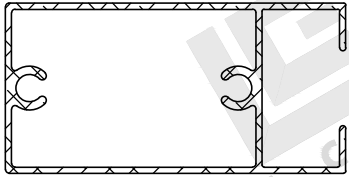
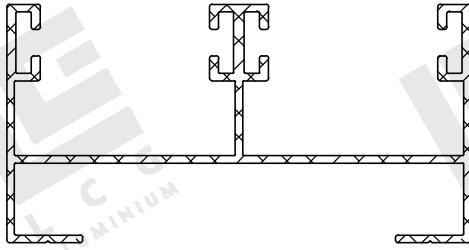


# COMMERCIAL GENERAL SECTIONS

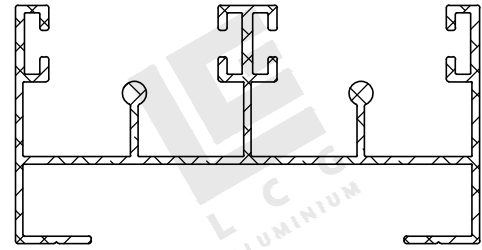
 <p>NO. 10001</p>	 <p>NO. 10002</p>	 <p>NO. 10003</p>
 <p>NO. 10005</p>	 <p>NO. 10004</p>	 <p>NO. 10009</p>
 <p>NO. 10010</p>	 <p>NO. 10008</p>	 <p>NO. 10011</p>
 <p>NO. 10012</p>	 <p>NO. 10019</p>	 <p>NO. 10021</p>

UPDATED AS ON 07.02.22

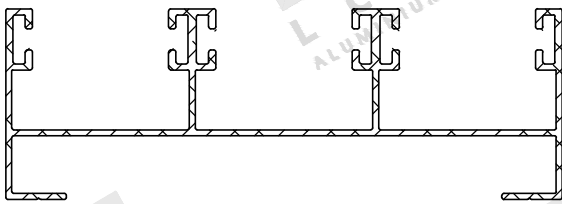
# COMMERCIAL GENERAL SECTIONS



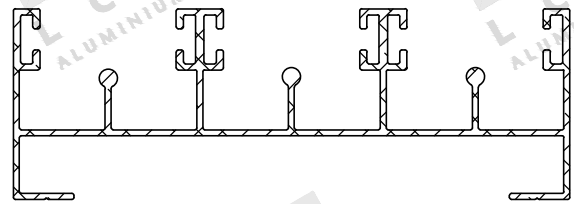
NO. 20001



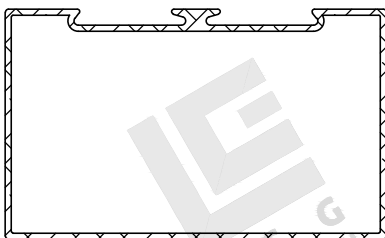
NO. 20002



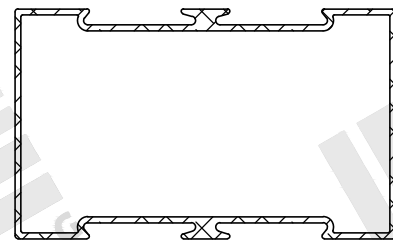
NO. 20007



NO. 20008



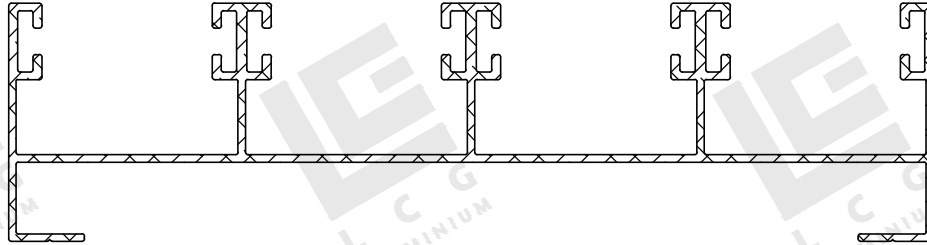
NO. 10006



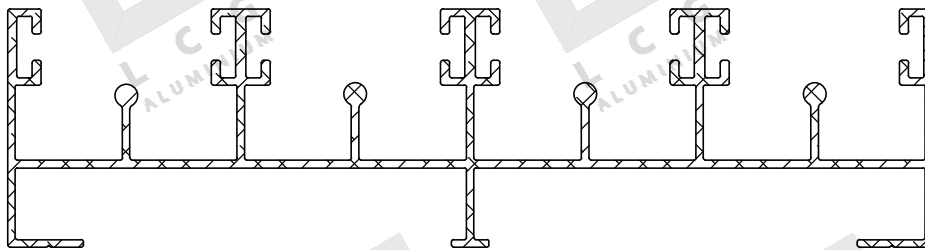
NO. 10007

UPDATED AS ON 07.02.22

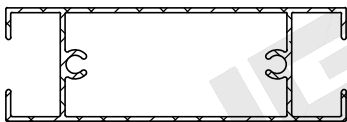
# COMMERCIAL GENERAL SECTIONS



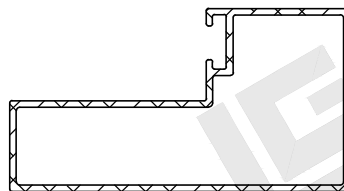
NO. 20005



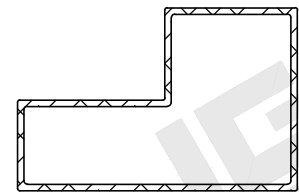
NO. 20006



NO. 10020



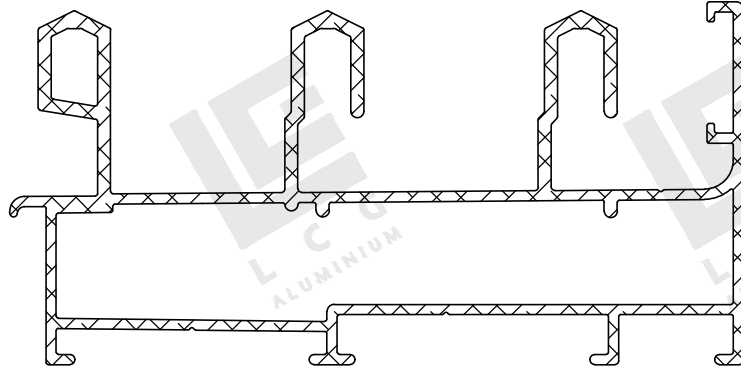
NO. 10023



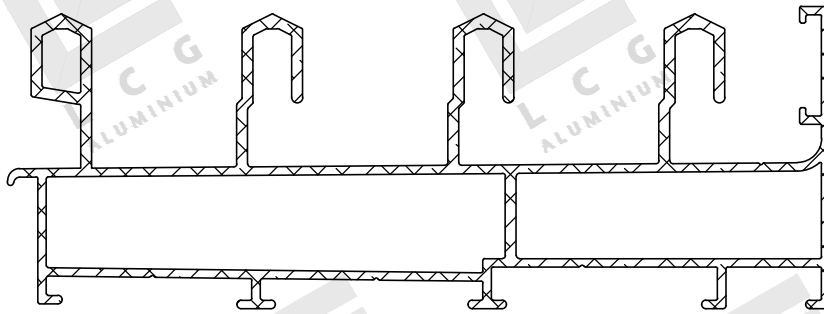
NO. 10022

UPDATED AS ON 07.02.22

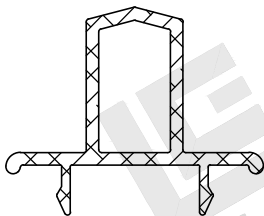
# COMMERCIAL GENERAL SECTIONS



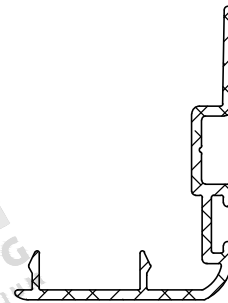
NO. 10155



NO. 10156



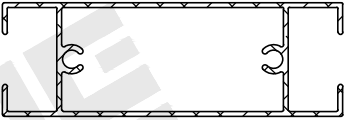
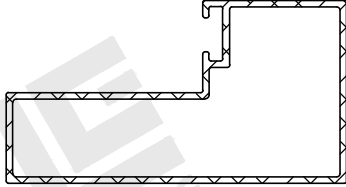
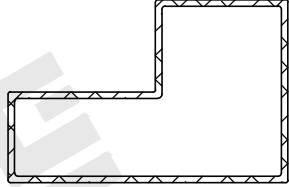
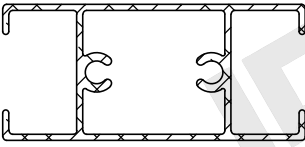
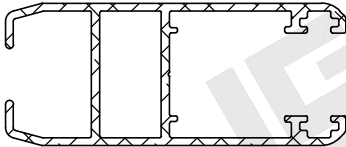
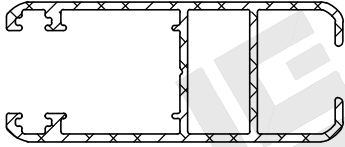
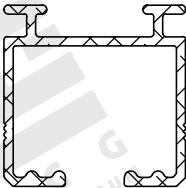
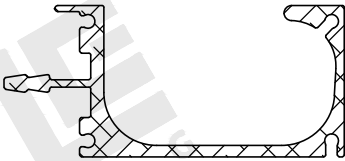
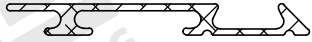

NO. 10153



NO. 20153

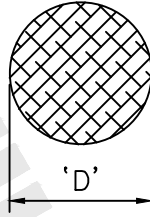
UPDATED AS ON 07.02.22

# COMMERCIAL GENERAL SECTIONS

 <p>NO. 10020</p>	 <p>NO. 10023</p>	 <p>NO. 10022</p>
 <p>NO. 10018</p>	 <p>NO. 10016</p>	 <p>NO. 10152</p>
 <p>NO. 20175</p>	 <p>NO. 20161</p>	 <p>NO. 20117</p>
 <p>NO. 20160</p>		

UPDATED AS ON 07.02.22

# COMMERCIAL ROUND BAR



Sr.No.	DIE NO	SIZE 'D'	Kg./Mtr.	Sr.No.	DIE NO	SIZE 'D'	Kg./Mtr.
1	80042	ø8.0	0.135	30	80025	ø60.5	7.761
2	80041	ø10.0	0.212	31	80007	ø62.0	8.151
3	80044	ø15.0	0.477	32	80058	ø65.0	8.959
4	80037	ø16.5	0.577	33	80008	ø76.2	12.312
5	80053	ø17.2	0.627	34	80060	ø80.0	13.570
6	80016	ø18.4	0.717	35	80027	ø85.0	15.321
7	80022	ø19.0	0.765	36	80043	ø90.1	17.214
8	80040	ø20.0	0.848	37	80055	ø98.0	19.952
9	80021	ø21.3	0.962	38	80056	ø101.0	21.631
10	80034	ø22.0	1.026	39	80046	ø106.0	23.820
11	80038	ø24.0	1.221	40	80010	ø110.0	25.658
12	80035	ø25.0	1.325	41			
13	80039	ø28.0	1.662	42			
14	80017	ø28.5	1.722	43			
15	80020	ø30.9	2.024	44			
16	80054	ø32.0	2.171	45			
17	80026	ø33.0	2.309	46			
18	80018	ø33.9	2.437	47			
19	80061	ø35.0	2.597	48			
20	80024	ø37.0	2.903	49			
21	80030	ø38.3	3.110	50			
22	80050	ø38.5	3.143	51			
23	80019	ø42.0	3.740	52			
24	80014	ø43.7	4.050	53			
25	80059	ø45.0	4.290	54			
26	80015	ø46.0	4.487	55			
27	80049	ø46.9	4.684	56			
28	80004	ø49.0	5.091	57			
29	80006	ø55.0	6.414	58			

ALL DIMENSIONS IN mm.

UPDATED AS ON 07.02.22

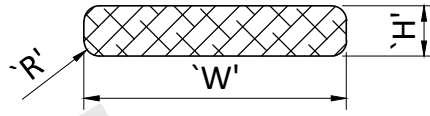
LCG Aluminium Industries Pvt. Ltd.

Plot H-5, MIDC, Ambad, Nashik - 422010, Maharashtra, India

Tel: +91 253 2381428

Email: info@lccaluminium.com

# COMMERCIAL BUS BAR WITH CORNER RADIUS



Sr.No.	DIE NO	SIZE WxHxR	Kg./Mtr.	Sr.No.	DIE NO	SIZE WxHxR	Kg./Mtr.
1	30046	16x10xR0.5	0.431	33	30032	100x20xR2.0	5.390
2	30124	16x12xR1.0	0.517	34	30080	120x60xR1.0	19.437
3	30025	20x6xR1.0	0.321	35	30108	125x10xR2.0	3.365
4	30104	20x10xR0.5	0.539	36	30095	125x12xR2.0	4.040
5	30007	25x6xR1.0	0.402	37	30034	125x27xR2.0	9.103
6	30001	25x10xR0.5	0.249	38	30134	127x12.7xR2	4.345
7	30022	30x6xR1.0	0.483	39	30013	150x6xR1.0	2.427
8	30002	30x10xR0.5	0.299	40	30014	150x10xR2.0	4.040
9	30113	32x8xR2.0	0.668	41	30031	150x20xR2.0	8.090
10	30008	40x6xR1.0	0.645	42	30136	152.4x6.4xR2	2.603
11	30003	40x10xR0.5	0.399	43	30135	152.4x9.5xR2	3.912
12	30123	40x12xR2.0	1.286	44	30137	152.4x12.7xR2	5.216
13	30111	44x12xR2.0	1.416	45	30081	160x10xR2.0	4.310
14	30035	50x3xR1.0	0.402	46	30128	160x12xR2.0	5.174
15	30009	50x6xR1.0	0.807	47	30041	161x6.4xR1.0	2.758
16	30004	50x10xR0.5	0.499	48	30044	180x10xR2.0	4.850
17	30125	50x12xR2.0	1.610	49	30015	200x10xR2.0	5.390
18	30107	60x10xR0.5	1.619	50	30138	200x12xR2.0	6.470
19	30093	63x10xR2.0	1.691	51			
20	30129	63x12xR2.0	2.03	52			
21	30010	70x6xR1.0	1.212	53			
22	30024	75x10xR2.0	2.015	54			
23	30110	75x12xR2.0	2.420	55			
24	30011	80x6xR1.0	1.293	56			
25	30005	80x10xR0.5	2.160	57			
26	30094	80x12xR2.0	2.582	58			
27	30085	80x15xR2.0	3.230	59			
28	30103	80x25xR2.0	5.390	60			
29	30078	100x3.6xR0.5	0.971	61			
30	30006	100x10xR0.5	2.670	62			
31	30012	100x6xR1.0	1.617	63			
32	30109	100x12xR2.0	3.230	64			

ALL DIMENSIONS IN mm.

UPDATED AS ON 07.02.22

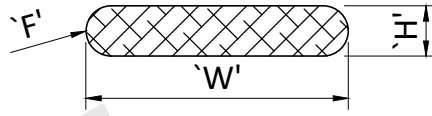
LCG Aluminium Industries Pvt. Ltd.

Plot H-5, MIDC, Ambad, Nashik - 422010, Maharashtra, India

Tel: +91 253 2381428

Email: info@lccaluminium.com

# COMMERCIAL BUS BAR WITH FULL RADIUS



Sr.No.	DIE NO	SIZE WxHxR	Kg./Mtr.	Sr.No.	DIE NO	SIZE WxHxR	Kg./Mtr.
1	30106	32x9xR4.5	0.730	33	30126	190x4.1xR2.05	2.093
2	30116	32x10xR5.0	0.806	34	30070	200x6xR3.0	3.219
3	30090	37x5.6xR2.8	0.541	35	30112	210x5.3xR2.65	2.988
4	30127	40x8xR4.0	0.826	36			
5	30084	40x9xR4.5	0.925	37			
6	30069	40x10xR5.0	1.021	38			
7	30037	40x15xR7.5	1.489	39			
8	30105	40x16xR8.0	1.579	40			
9	30130	45x9xR4.5	1.046	41			
10	30117	50x9xR4.5	1.168	42			
11	30097	50x10xR5.0	1.292	43			
12	30132	50x10xR5.0	1.292	44			
13	30072	50x12xR6.0	1.536	45			
14	30131	50x12.5xR6.3	1.596	46			
15	30082	60x6xR3.0	0.951	47			
16	30039	60x12xR6.0	1.860	48			
17	30120	70x3.3xR1.65	0.617	49			
18	30042	76.2x6.4xR3.2	1.283	50			
19	30077	76.2x10xR5.0	1.999	51			
20	30076	76.2x13xR6.5	2.576	52			
21	30121	80x4.4xR2.2	0.939	53			
22	30040	80x10xR5.0	2.101	54			
23	30048	100x3.6xR1.8	0.939	55			
24	30071	100x6xR3.0	1.599	56			
25	30073	101.6x10xR5.0	2.685	57			
26	30079	118x10xR5.0	3.127	58			
27	30114	120x6xR3.0	1.923	59			
28	30074	127x10xR5.0	3.370	60			
29	30075	130x15xR7.5	5.134	61			
30	30122	160x3.5xR1.75	1.50	62			
31	30119	160x4.5xR2.25	1.930	63			
32	30118	160x6xR3.0	2.571	64			

ALL DIMENSIONS IN mm.

UPDATED AS ON 07.02.22

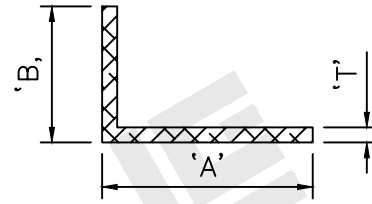
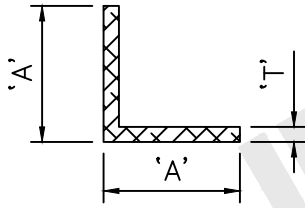
LCG Aluminium Industries Pvt. Ltd.

Plot H-5, MIDC, Ambad, Nashik - 422010, Maharashtra, India

Tel: +91 253 2381428

Email: [info@lccgaluminium.com](mailto:info@lccgaluminium.com)

# COMMERCIAL ANGLE



Sr.No.	DIE NO	SIZE AxAxT	Kg./Mtr.
1	50003	19x19x2	0.194
2	50007	19.8x19.8x1.0	0.103
3	50002	24x24x1.5	0.188
4	50005	25x25x1.8	0.234
5	50010	30x30x3.0	0.461
6	50013	37x37x2.9	0.556
7	50004	38x38x2.5	0.495
8	50006	50x50x1.8	0.468
9	50009	50x50x6.0	1.522
10			
11			
12			
13			
14			
15			
16			
17			
18			
19			
20			
21			
22			
23			
24			
25			
26			
27			
28			
29			

Sr.No.	DIE NO	SIZE AxBxT	Kg./Mtr.
30	50001	38x25x2.2	0.360
31	50011	55x50x5.0	1.349
32	50012	75x50x5.0	1.619
33			
34			
35			
36			
37			
38			
39			
40			
41			
42			
43			
44			
45			
46			
47			
48			
49			
50			
51			
52			
53			
54			
55			
56			
57			
58			

ALL DIMENSIONS IN mm.

UPDATED AS ON 07.02.22

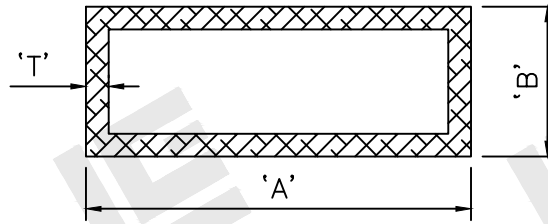
LCG Aluminium Industries Pvt. Ltd.

Plot H-5, MIDC, Ambad, Nashik - 422010, Maharashtra, India

Tel: +91 253 2381428

Email: info@lccgaluminium.com

# COMMERCIAL RECTANGULAR TUBE



Sr.No.	DIE NO	SIZE AxBxT	Kg./Mtr.	Sr.No.	DIE NO	SIZE AxBxT	Kg./Mtr.
1	40009	14x10x1.5	0.170	30			
2	40006	30x20x2.0	0.496	31			
3	40004	40x20x1.1	0.343	32			
4	40007	40x30x2.0	0.712	33			
5	40003	63x38x1.0	0.534	34			
6	40005	75x25x0.8	0.425	35			
7	40001	80x40x1.1	0.510	36			
8	40002	100x25x0.9	0.598	37			
9				38			
10				39			
11				40			
12				41			
13				42			
14				43			
15				44			
16				45			
17				46			
18				47			
19				48			
20				49			
21				50			
22				51			
23				52			
24				53			
25				54			
26				55			
27				56			
28				57			
29				58			

ALL DIMENSIONS IN mm.

UPDATED AS ON 07.02.22

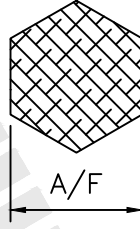
LCG Aluminium Industries Pvt. Ltd.

Plot H-5, MIDC, Ambad, Nashik - 422010, Maharashtra, India

Tel: +91 253 2381428

Email: [info@lcfgaluminium.com](mailto:info@lcfgaluminium.com)

# COMMERCIAL HEX. BAR



Sr.No.	DIE NO	SIZE A/F	Kg./Mtr.	Sr.No.	DIE NO	SIZE A/F	Kg./Mtr.
1	65001	17	0.675	30			
2	65002	19	0.844	31			
3	65003	22	1.131	32			
4	65004	27	1.704	33			
5				34			
6				35			
7				36			
8				37			
9				38			
10				39			
11				40			
12				41			
13				42			
14				43			
15				44			
16				45			
17				46			
18				47			
19				48			
20				49			
21				50			
22				51			
23				52			
24				53			
25				54			
26				55			
27				56			
28				57			
29				58			

ALL DIMENSIONS IN mm.

UPDATED AS ON 07.02.22

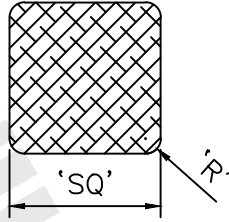
LCG Aluminium Industries Pvt. Ltd.

Plot H-5, MIDC, Ambad, Nashik - 422010, Maharashtra, India

Tel: +91 253 2381428

Email: info@lcfgaluminium.com

# COMMERCIAL SQUARE BAR



Sr.No.	DIE NO	SIZE SQxR	Kg./Mtr.	Sr.No.	DIE NO	SIZE SQxR	Kg./Mtr.
1	85004	63.3x63.3x1R	10.815	30			
2	85006	72x72x1R	13.994	31			
3	85003	113x113x2R	34.467	32			
4	85005	116x116x2R	36.321	33			
5				34			
6				35			
7				36			
8				37			
9				38			
10				39			
11				40			
12				41			
13				42			
14				43			
15				44			
16				45			
17				46			
18				47			
19				48			
20				49			
21				50			
22				51			
23				52			
24				53			
25				54			
26				55			
27				56			
28				57			
29				58			

ALL DIMENSIONS IN mm.

UPDATED AS ON 07.02.22

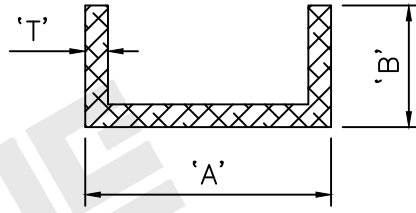
LCG Aluminium Industries Pvt. Ltd.

Plot H-5, MIDC, Ambad, Nashik - 422010, Maharashtra, India

Tel: +91 253 2381428

Email: [info@lccaluminium.com](mailto:info@lccaluminium.com)

# COMMERCIAL CHANNEL



Sr.No.	DIE NO	SIZE AxBxT	Kg./Mtr.	Sr.No.	DIE NO	SIZE AxBxT	Kg./Mtr.
1	55002	25x20x2	0.355	30			
2	55001	100x50x8	3.983	31			
3				32			
4				33			
5				34			
6				35			
7				36			
8				37			
9				38			
10				39			
11				40			
12				41			
13				42			
14				43			
15				44			
16				45			
17				46			
18				47			
19				48			
20				49			
21				50			
22				51			
23				52			
24				53			
25				54			
26				55			
27				56			
28				57			
29				58			

ALL DIMENSIONS IN mm.

UPDATED AS ON 07.02.22

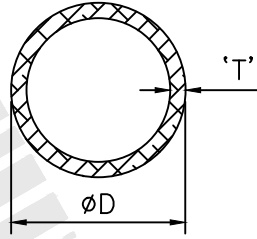
LCG Aluminium Industries Pvt. Ltd.

Plot H-5, MIDC, Ambad, Nashik - 422010, Maharashtra, India

Tel: +91 253 2381428

Email: info@lcfgaluminium.com

# COMMERCIAL ROUND TUBE



Sr.No.	DIE NO	SIZE $\phi D \times T$	Kg./Mtr.	Sr.No.	DIE NO	SIZE $\phi D \times T$	Kg./Mtr.
1	70091	$\phi 8.3 \times 1.45$	0.084	30	70083	$\phi 30 \times 5.3$	1.110
2	70074	$\phi 11.9 \times 2.6$	0.205	31	70020	$\phi 30.2 \times 4.1$	0.907
3	70104	$\phi 12.5 \times 1.6$	0.147	32	70022	$\phi 31 \times 3.55$	0.826
4	70062	$\phi 13.5 \times 1.6$	0.161	33	70094	$\phi 32 \times 4.25$	1.000
5	70076	$\phi 13.5 \times 2.3$	0.218	34	70049	$\phi 32 \times 5.5$	1.236
6	70075	$\phi 13.5 \times 2.9$	0.257	35	70114	$\phi 32 \times 7.0$	1.484
7	70077	$\phi 16.3 \times 2.9$	0.329	36	70086	$\phi 33 \times 4.75$	1.138
8	70048	$\phi 16 \times 5.25$	0.407	37	70099	$\phi 33 \times 6.2$	1.400
9	70024	$\phi 16.9 \times 2.35$	0.290	38	70071	$\phi 33.5 \times 6.05$	1.408
10	70069	$\phi 17.4 \times 2.1$	0.272	39	70017	$\phi 34.0 \times 6.25$	1.471
11	70078	$\phi 17.5 \times 3.15$	0.383	40	70019	$\phi 34.8 \times 4.8$	1.221
12	70061	$\phi 19.0 \times 2.6$	0.355	41	70070	$\phi 36.0 \times 4$	1.085
13	70036	$\phi 19.3 \times 3.5$	0.469	42	70050	$\phi 36.5 \times 6.55$	1.663
14	70113	$\phi 19 \times 5$	0.593	43	70051	$\phi 37.15 \times 6.33$	1.653
15	70092	$\phi 20.0 \times 5.75$	0.695	44	70016	$\phi 38.3 \times 6.15$	1.676
16	70039	$\phi 20.5 \times 4.0$	0.559	45	70087	$\phi 38.65 \times 6.33$	1.734
17	70035	$\phi 21.0 \times 5$	0.678	46	70011	$\phi 40 \times 2.5$	0.795
18	70060	$\phi 21.1 \times 2.9$	0.447	47	70100	$\phi 42.8 \times 8.4$	2.451
19	70030	$\phi 22 \times 2$	0.339	48	70033	$\phi 44.4 \times 6.3$	2.049
20	70079	$\phi 22.2 \times 4.25$	0.647	49	70117	$\phi 46.0 \times 8.2$	2.629
21	70021	$\phi 23.9 \times 3.55$	0.612	50	70115	$\phi 46.8 \times 6.55$	2.236
22	70046	$\phi 24.3 \times 2$	0.376	51	70085	$\phi 46.8 \times 8.25$	2.697
23	70031	$\phi 25 \times 2$	0.390	52	70112	$\phi 47.6 \times 14.35$	4.04
24	70014	$\phi 25 \times 2.5$	0.477	53	70038	$\phi 56.0 \times 8.25$	3.050
25	70005	$\phi 27 \times 6.4$	1.118	54	70116	$\phi 57 \times 9.5$	3.827
26	70037	$\phi 27.2 \times 7.7$	0.762	55	70097	$\phi 61.6 \times 1.8$	0.913
27	70063	$\phi 28.0 \times 3.0$	0.636	56	70111	$\phi 63.0 \times 2.9$	1.478
28	70032	$\phi 28 \times 2.75$	0.589	57	70109	$\phi 75.9 \times 2.45$	1.526
29	70082	$\phi 28.1 \times 4.9$	0.964	58	70108	$\phi 79.8 \times 10.0$	5.920

ALL DIMENSIONS IN mm.

UPDATED AS ON 07.02.22

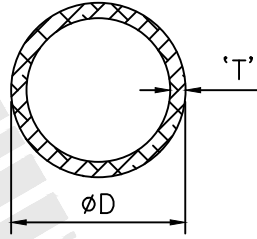
LCG Aluminium Industries Pvt. Ltd.

Plot H-5, MIDC, Ambad, Nashik - 422010, Maharashtra, India

Tel: +91 253 2381428

Email: [info@lccaluminium.com](mailto:info@lccaluminium.com)

# COMMERCIAL ROUND TUBE



Sr.No.	DIE NO	SIZE $\phi D \times T$	Kg./Mtr.	Sr.No.	DIE NO	SIZE $\phi D \times T$	Kg./Mtr.
59	70095	$\phi 86.5 \times 2$	1.433	88			
60	70103	$\phi 90 \times 2.9$	2.142	89			
61	70106	$\phi 100 \times 2.9$	2.388	90			
62	70107	$\phi 120 \times 10$	9.330	91			
63	70002	$\phi 141 \times 23$	23.020	92			
64	70006	$\phi 143 \times 13$	14.335	93			
65	70093	$\phi 160 \times 11$	13.902	94			
66	70096	$\phi 168 \times 9.5$	12.772	95			
67				96			
68				97			
69				98			
70				99			
71				100			
72				101			
73				102			
74				103			
75				104			
76				105			
77				106			
78				107			
79				108			
80				109			
81				110			
82				111			
83				112			
84				113			
85				114			
86				115			
87				116			

ALL DIMENSIONS IN mm.

UPDATED AS ON 07.02.22

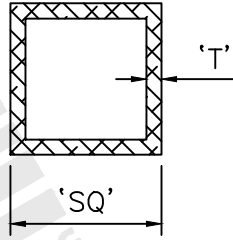
LCG Aluminium Industries Pvt. Ltd.

Plot H-5, MIDC, Ambad, Nashik - 422010, Maharashtra, India

Tel: +91 253 2381428

Email: [info@lcfgaluminium.com](mailto:info@lcfgaluminium.com)

# COMMERCIAL SQUARE TUBE



Sr.No.	DIE NO	SIZE SQxT	Kg./Mtr.	Sr.No.	DIE NO	SIZE SQxT	Kg./Mtr.
1	60001	40x40x1	0.432	30			
2	60002	20x20x1.2	0.243	31			
3				32			
4				33			
5				34			
6				35			
7				36			
8				37			
9				38			
10				39			
11				40			
12				41			
13				42			
14				43			
15				44			
16				45			
17				46			
18				47			
19				48			
20				49			
21				50			
22				51			
23				52			
24				53			
25				54			
26				55			
27				56			
28				57			
29				58			

ALL DIMENSIONS IN mm.

UPDATED AS ON 07.02.22

LCG Aluminium Industries Pvt. Ltd.

Plot H-5, MIDC, Ambad, Nashik - 422010, Maharashtra, India

Tel: +91 253 2381428

Email: [info@lcfgaluminium.com](mailto:info@lcfgaluminium.com)