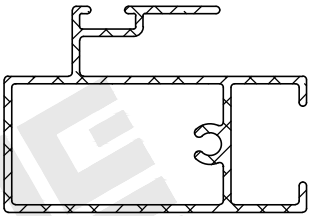
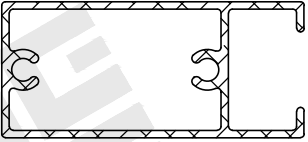
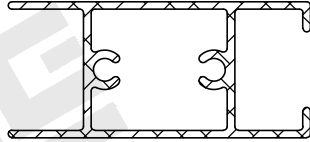
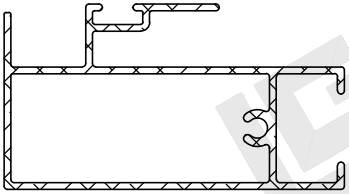
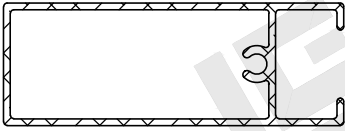
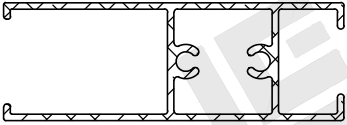
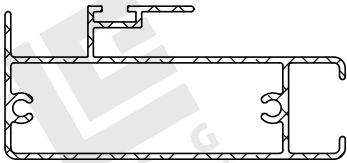
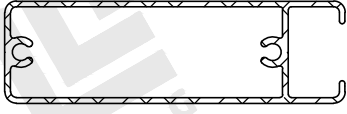
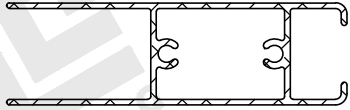
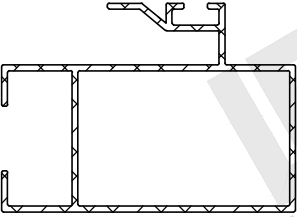
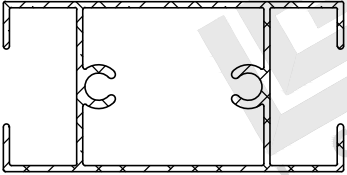
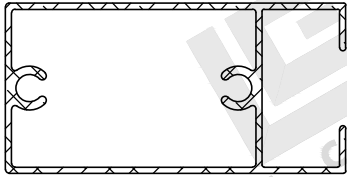
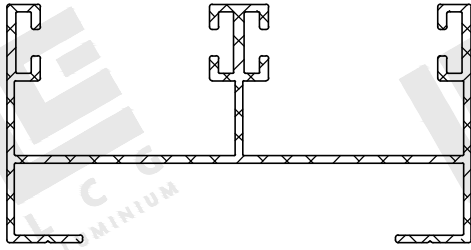


ARCHITECTURAL AND FACADE GENERAL SECTIONS

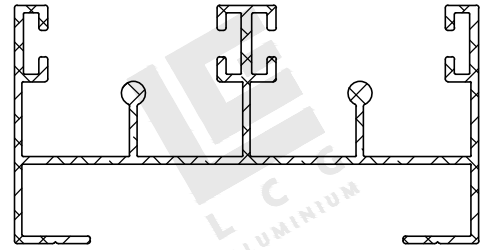
 <p>NO. 10001</p>	 <p>NO. 10002</p>	 <p>NO. 10003</p>
 <p>NO. 10005</p>	 <p>NO. 10004</p>	 <p>NO. 10009</p>
 <p>NO. 10010</p>	 <p>NO. 10008</p>	 <p>NO. 10011</p>
 <p>NO. 10012</p>	 <p>NO. 10019</p>	 <p>NO. 10021</p>

UPDATED AS ON 07.02.22

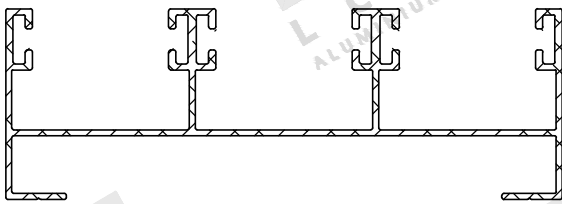
ARCHITECTURAL AND FACADE GENERAL SECTIONS



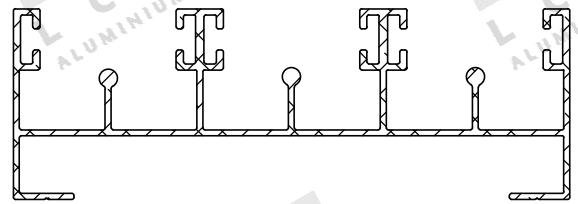
NO. 20001



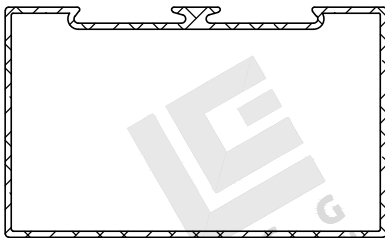
NO. 20002



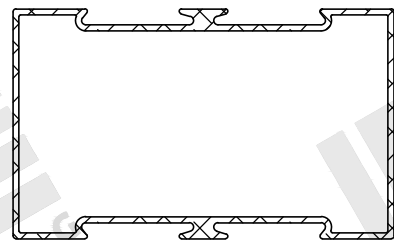
NO. 20007



NO. 20008



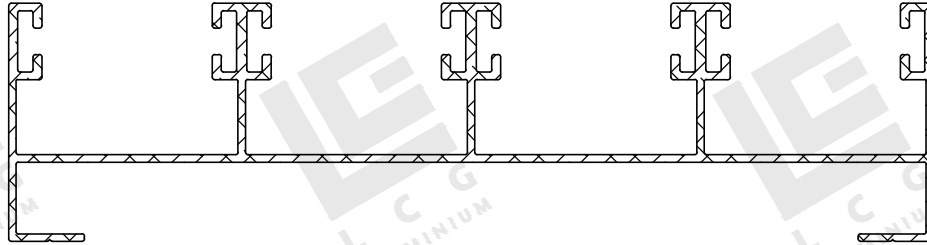
NO. 10006



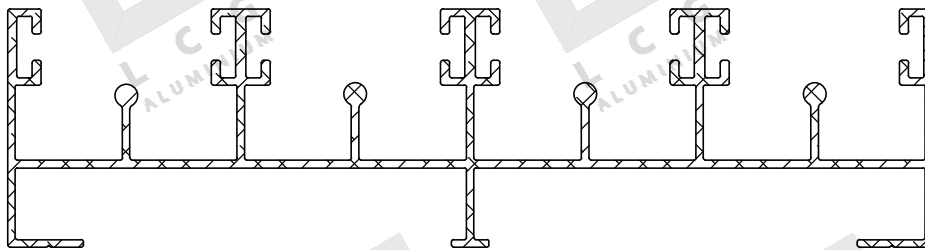
NO. 10007

UPDATED AS ON 07.02.22

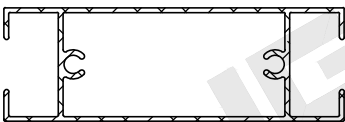
ARCHITECTURAL AND FACADE GENERAL SECTIONS



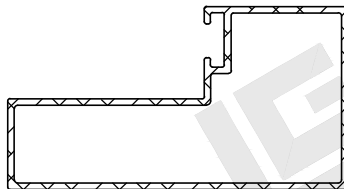
NO. 20005



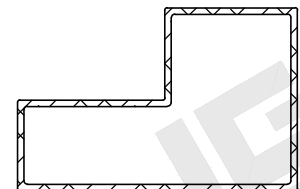
NO. 20006



NO. 10020



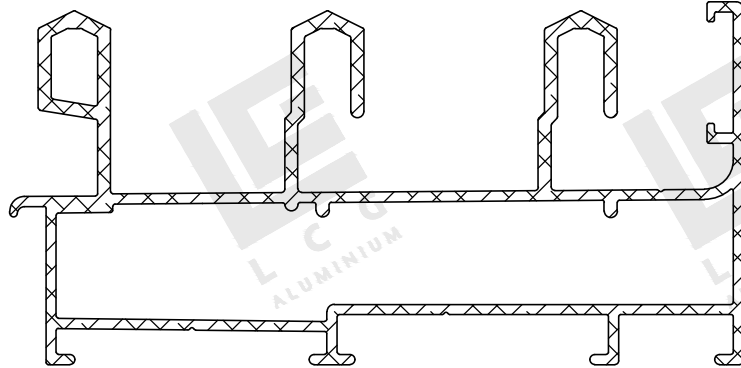
NO. 10023



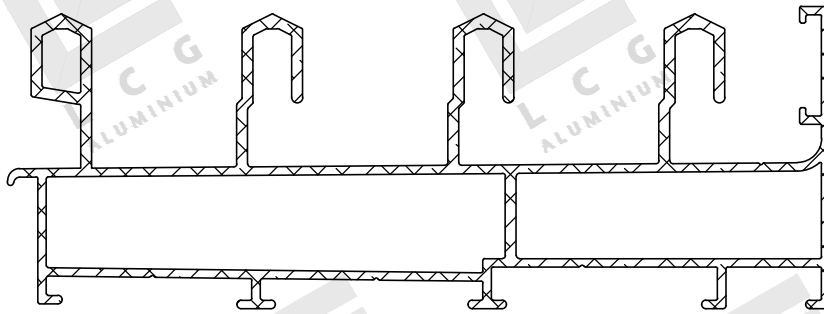
NO. 10022

UPDATED AS ON 07.02.22

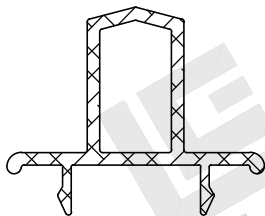
ARCHITECTURAL AND FACADE GENERAL SECTIONS



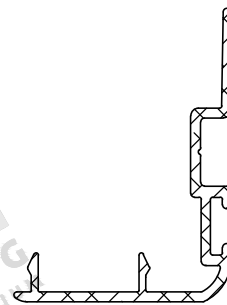
NO. 10155



NO. 10156



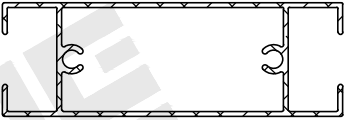
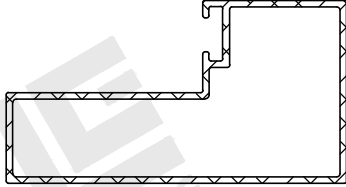
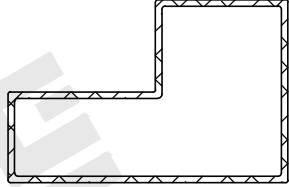
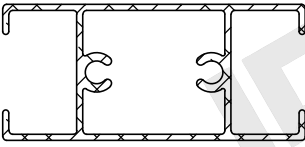
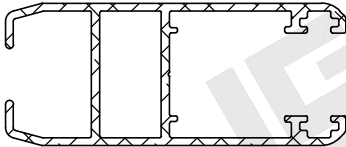
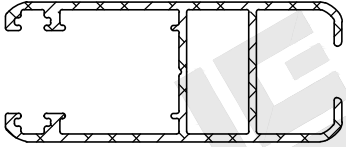
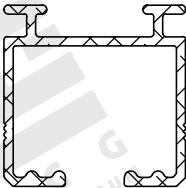
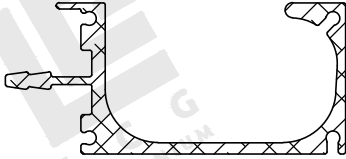
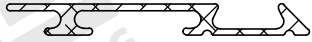


NO. 10153



NO. 20153

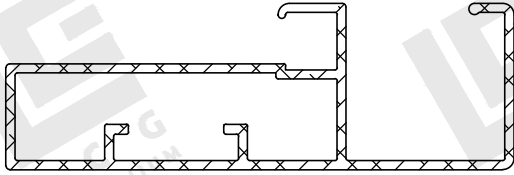
UPDATED AS ON 07.02.22

ARCHITECTURAL AND FACADE GENERAL SECTIONS

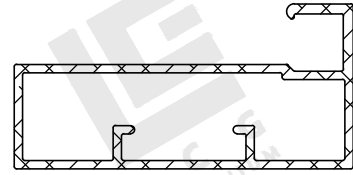
 <p>NO. 10020</p>	 <p>NO. 10023</p>	 <p>NO. 10022</p>
 <p>NO. 10018</p>	 <p>NO. 10016</p>	 <p>NO. 10152</p>
 <p>NO. 20175</p>	 <p>NO. 20161</p>	 <p>NO. 20117</p>
 <p>NO. 20160</p>		

UPDATED AS ON 07.02.22

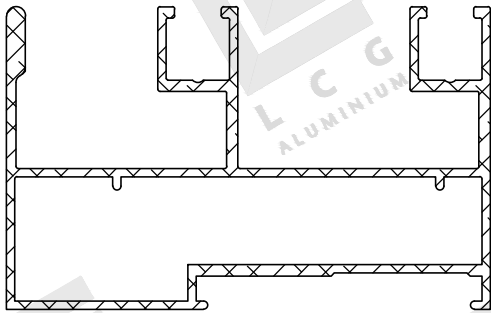
ARCHITECTURAL AND FACADE GENERAL SECTIONS



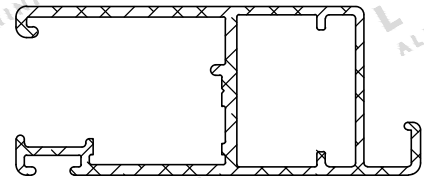
NO. 10159



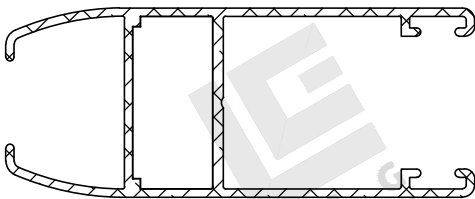
NO. 10160



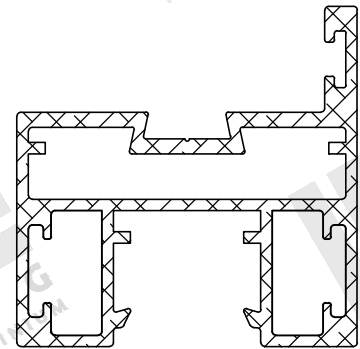
NO. 10174



NO. 10175



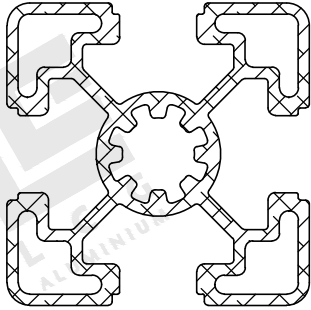
NO. 10176



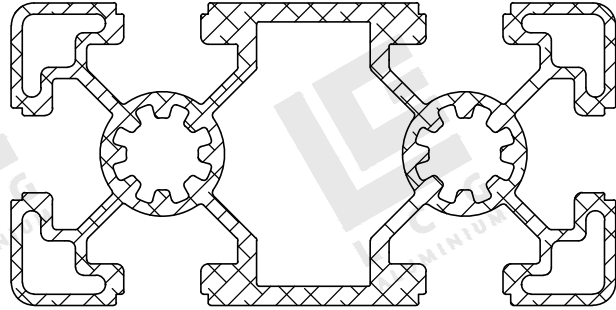
NO. 10171

UPDATED AS ON 07.02.22

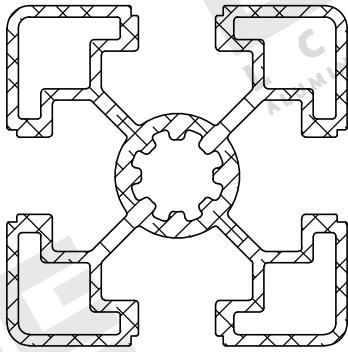
ARCHITECTURAL AND FACADE GENERAL SECTIONS



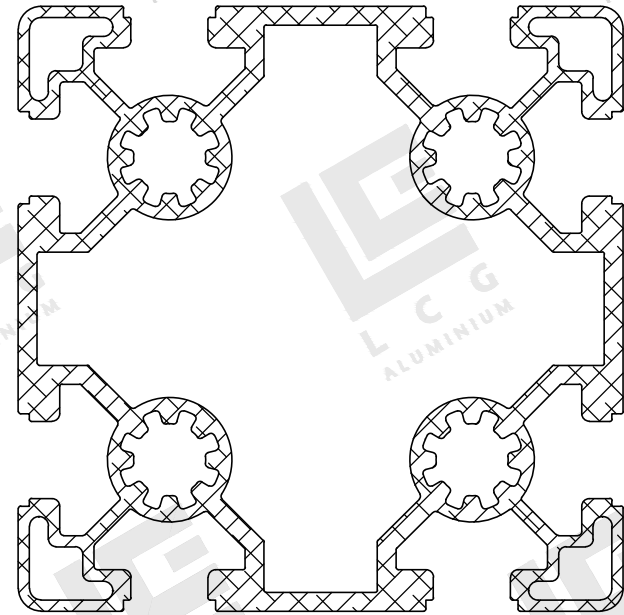
NO. 10119



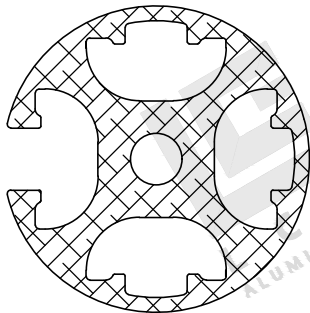
NO. 10189



NO. 10121



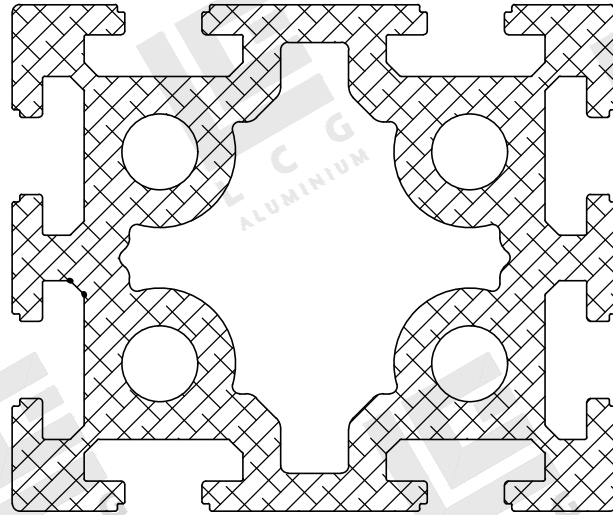
NO. 10190



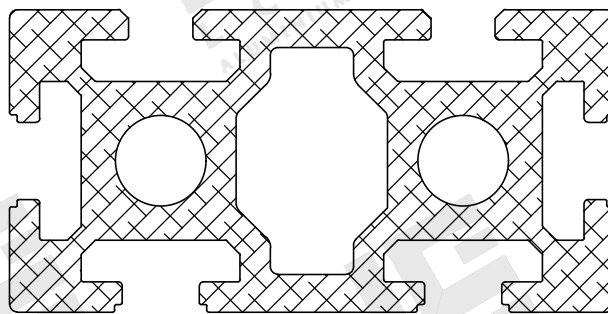
NO. 10091

UPDATED AS ON 07.02.22

ARCHITECTURAL AND FACADE GENERAL SECTIONS



NO. 10229



NO. 10230

UPDATED AS ON 07.02.22